

Martin® Typhoon Air Cannon

The **Martin® Typhoon Air Cannon** features a hybrid valve concept that provides more force, uses less air, and simplifies maintenance in challenging applications with limited budgets.

The Martin® Typhoon Air Cannon valve delivers more force output while using only half the air volume of the standard Martin® XHV 20-30 Air Cannon.

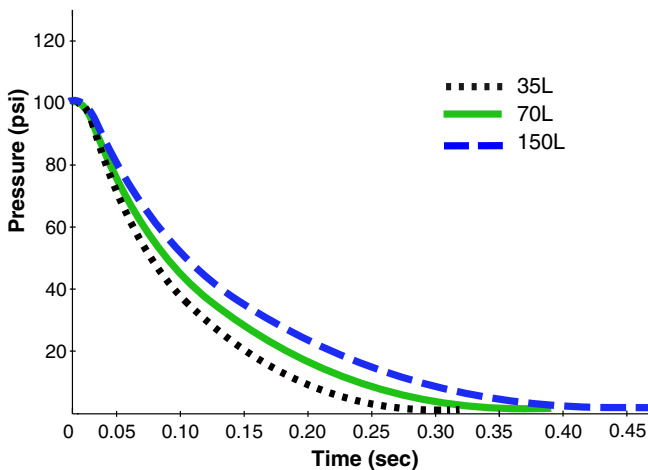
BENEFITS

- More force output
- One-step maintenance
- Suitable for high-temperature applications

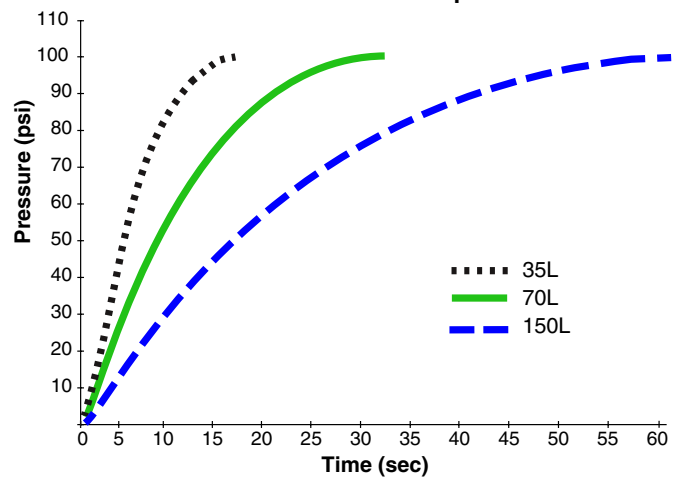


PERFORMANCE DATA

Discharge Times @ 100 psi



Fill Times @ 100 psi

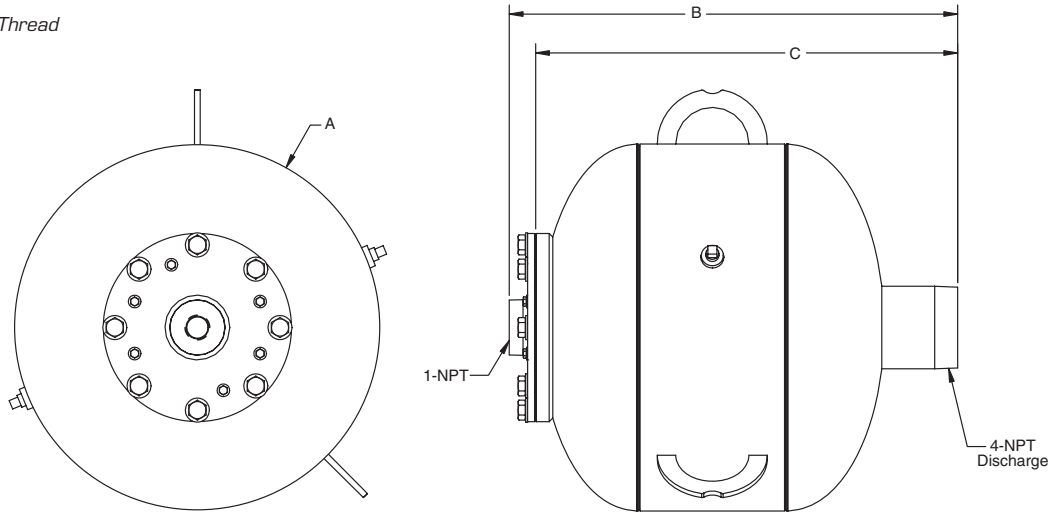


TECHNICAL DATA SHEET

DIMENSIONS

Model	P/N	Dim. A in. (mm)	Dim. B in. (mm)	Dim. C in. (mm)	Shipping Weight lb (kg)
Typhoon	38005-35FD	16.00 [406]	21.44 [545]	20.00 [508]	72 [33]
Typhoon	38005-70FD	20.00 [508]	24.44 [621]	23.00 [584]	88 [40]
Typhoon	38005-150FD	24.00 [610]	32.19 [818]	30.75 [781]	124 [56]

NPT-National Pipe Thread



AIR VOLUME IN FT³ (LITERS) FREE AIR

Air Pressure PSI	38005-35FD ft ³ (L)	38005-70FD ft ³ (L)	38005-150FD ft ³ (L)
0	1.2 [35]	2.4 [70]	5.3 [150]
40	4.6 [130]	9.2 [260]	19.7 [558]
50	5.4 [153]	10.8 [308]	23.3 [660]
60	6.2 [176]	12.5 [355]	26.9 [762]
70	7.1 [201]	14.2 [403]	30.5 [864]
80	7.9 [224]	15.9 [450]	34.1 [966]
90	8.8 [249]	17.6 [498]	37.8 [1070]
100	9.6 [272]	19.2 [546]	41.4 [1172]
110	10.4 [294]	20.9 [593]	45.0 [1274]
120	11.3 [320]	22.6 [641]	48.6 [1376]

NOTES

Tanks for Martin® Air Cannons supplied by Martin Engineering are manufactured to ASME Code Rules, Section VIII, Division 1. Tanks are National Board registered and pressure vessel quality (PVQ).